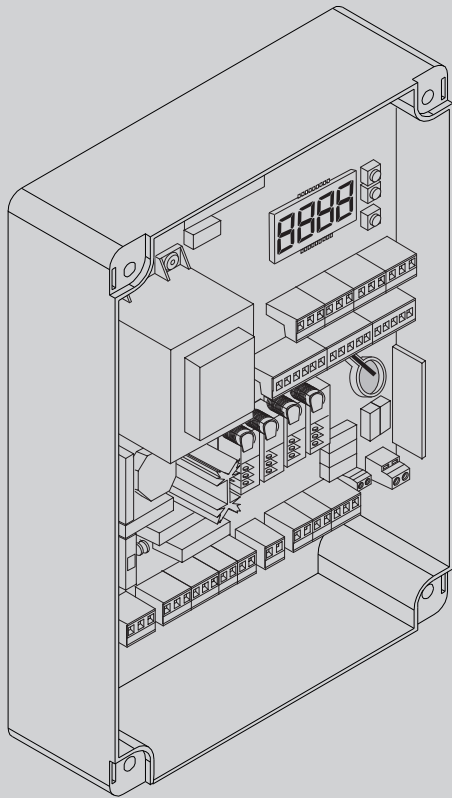




D812958 00100_07 16-06-22

UNIVERSAL CONTROL UNIT FOR ONE OR TWO MOTORS



INSTALLATION MANUAL

RIGEL 6



((ER-Ready))

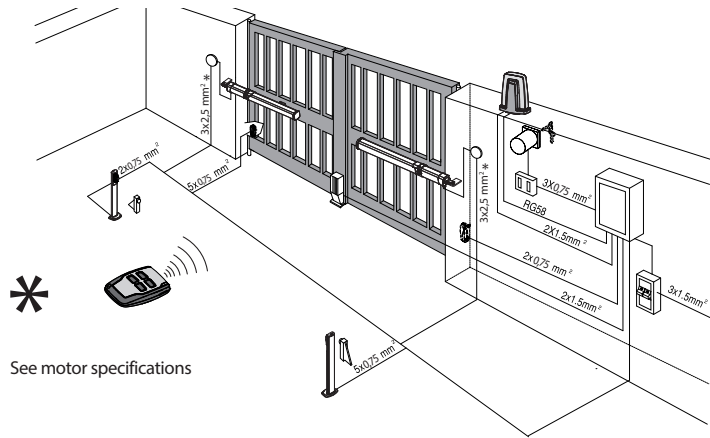
AZIENDA CON
SISTEMA DI GESTIONE
CERTIFICATO DA DNV GL
= ISO 9001 =
= ISO 14001 =

Caution! Read "Warnings" inside carefully!

QUICK INSTALLATION

CABLE ARRANGEMENT

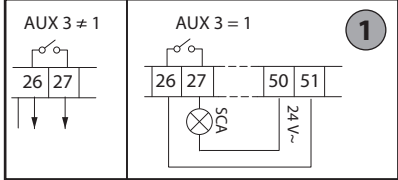
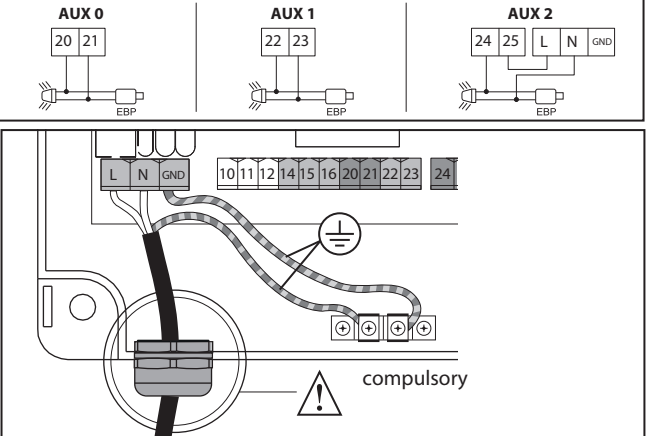
A



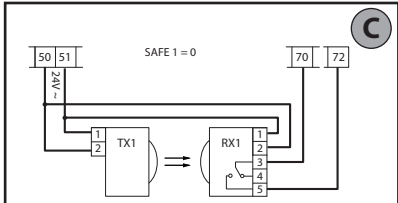
C EBP solenoid lock connection. AUX configuration = Flashing

B

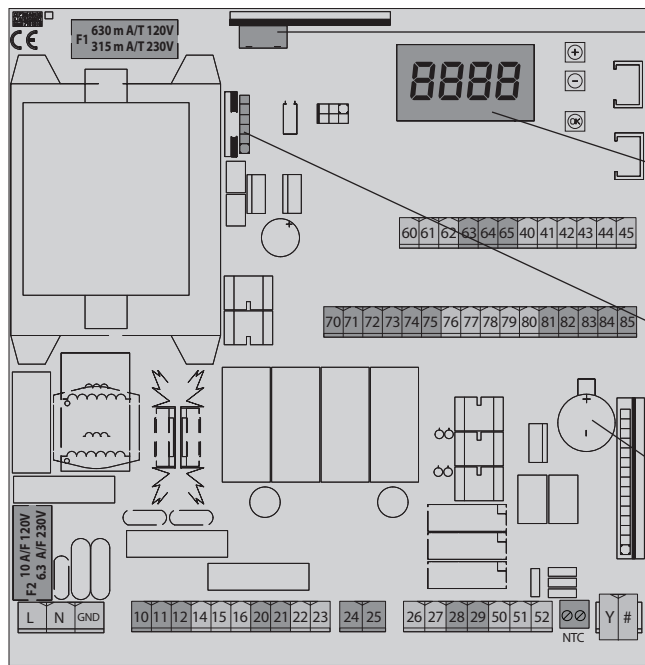
slot EBP.



1



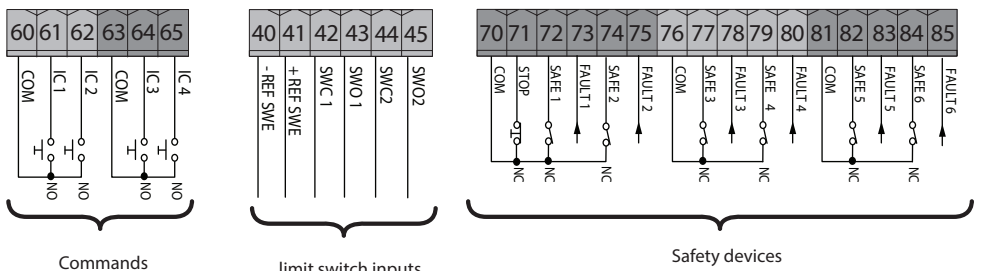
Connection of 1 couple of untested photo-cells, for tested photocells see the following pages.



Optional board connector
Display + programming keys

Palmtop programmer connector

Lithium battery 3V CR 1220

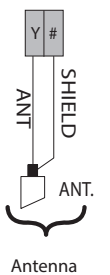
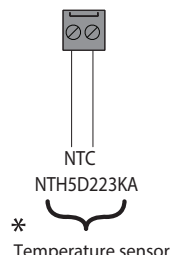
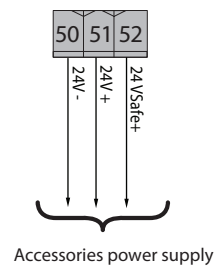
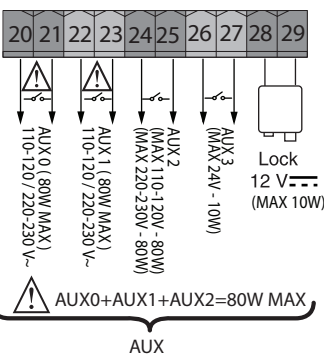
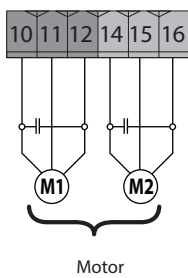
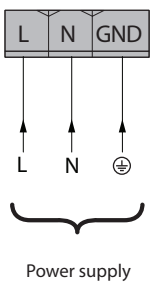


Commands

limit switch inputs

Safety devices

* Not supplied

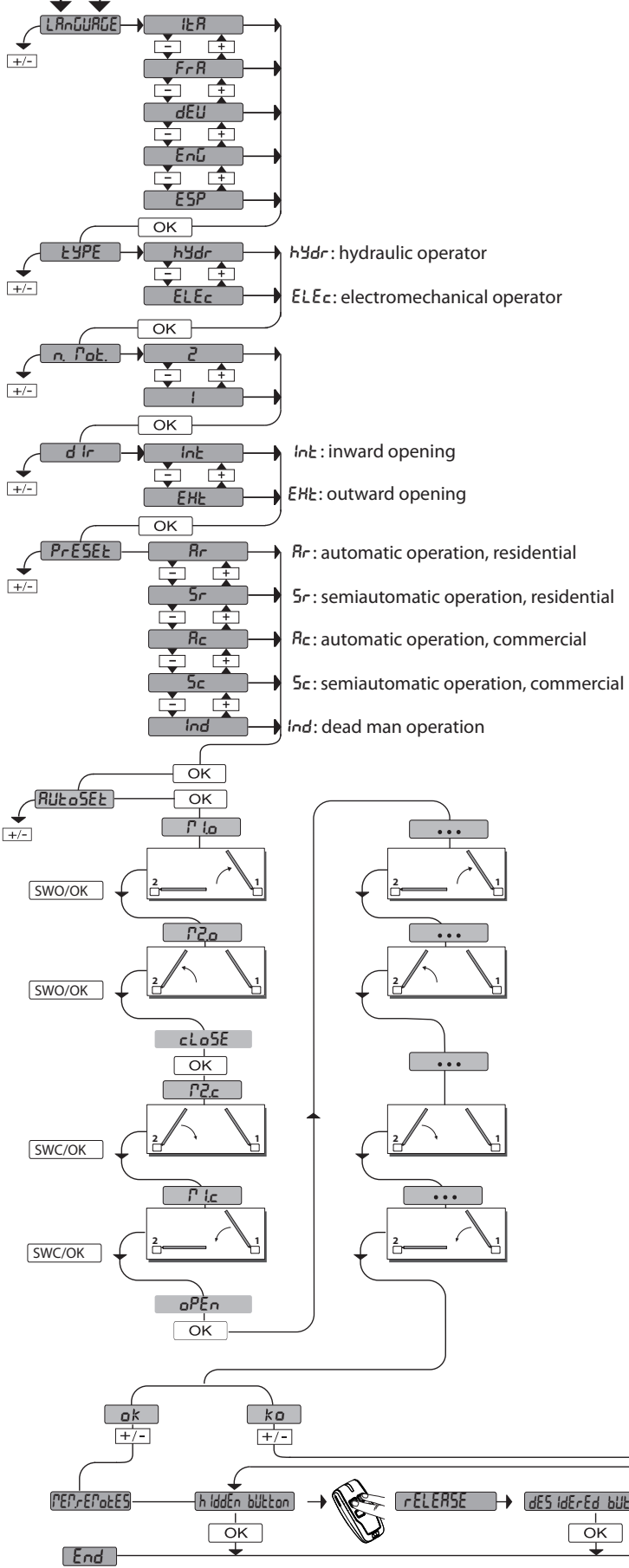
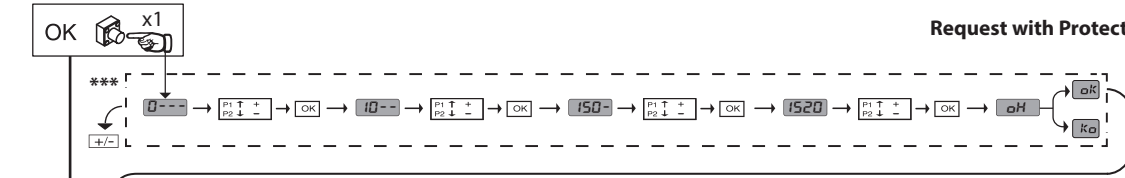


SIMPLIFIED MENU

*** Password entry.

Request with Protection Level logic set to 1, 2, 3, 4

D812958 00100_07



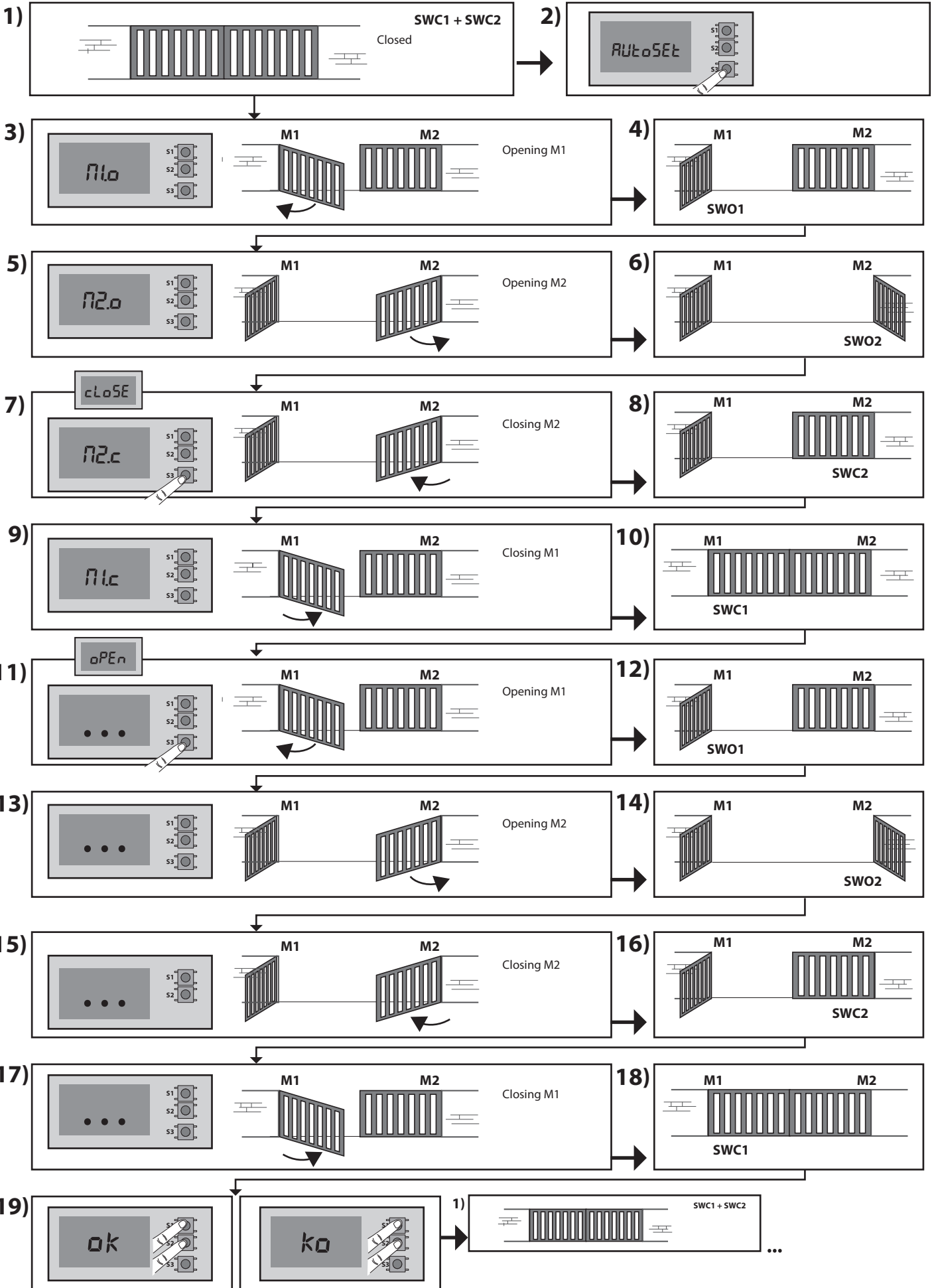
LEGENDA

- + ↑ Scroll up
- ↓ Scroll down
- OK ↵ Confirm/Switch on display
- + ⊖ Exit Menü

PRESET	DEFAULT	Rr	Sr	Rc	Sc	ind
PARAMETER						
Motor 1 opening work time	60.0	20.0	20.0	20.0	20.0	20.0
Motor 2 opening work time	60.0	20.0	20.0	20.0	20.0	20.0
Motor 1 closing work time	60.0	20.0	20.0	20.0	20.0	20.0
Motor 2 closing work time	60.0	20.0	20.0	20.0	20.0	20.0
Time lag opening	3	2	2	2	2	2
Time lag closing	3	2	2	2	2	2
Motor 1 slow-down time	0	0	0	0	0	0
electromechanical		3	3	3	3	3
Motor 2 slow-down time	0	0	0	0	0	0
electromechanical		3	3	3	3	3
TCA	40	20	40	30	40	40
Opening force	50	99	99	99	99	99
electromechanical		50	50	50	50	50
Closing force	50	99	99	99	99	99
electromechanical		50	50	50	50	50
Slow-down force	50	99	99	99	99	99
electromechanical		50	50	50	50	50
LOGIC						
TCA	0	1	0	1	0	0
Step-by-step movement	0	1	0	1	0	0
Pre alarm	0	0	0	1	1	0
Hold-to-run	0	0	0	0	0	1
Impulse lock on opening	0	0	0	1	1	0
Lock hold	0	1	1	1	1	1
electromechanical		0	0	0	0	0
SAFE 1	0	4	4	4	4	0
Protection level	0	0	0	0	0	2
Time count	1	0	0	0	0	0
electromechanical		1	1	1	1	1

AUTOSET FOR MOTORS WITH LIMIT SWITCHES

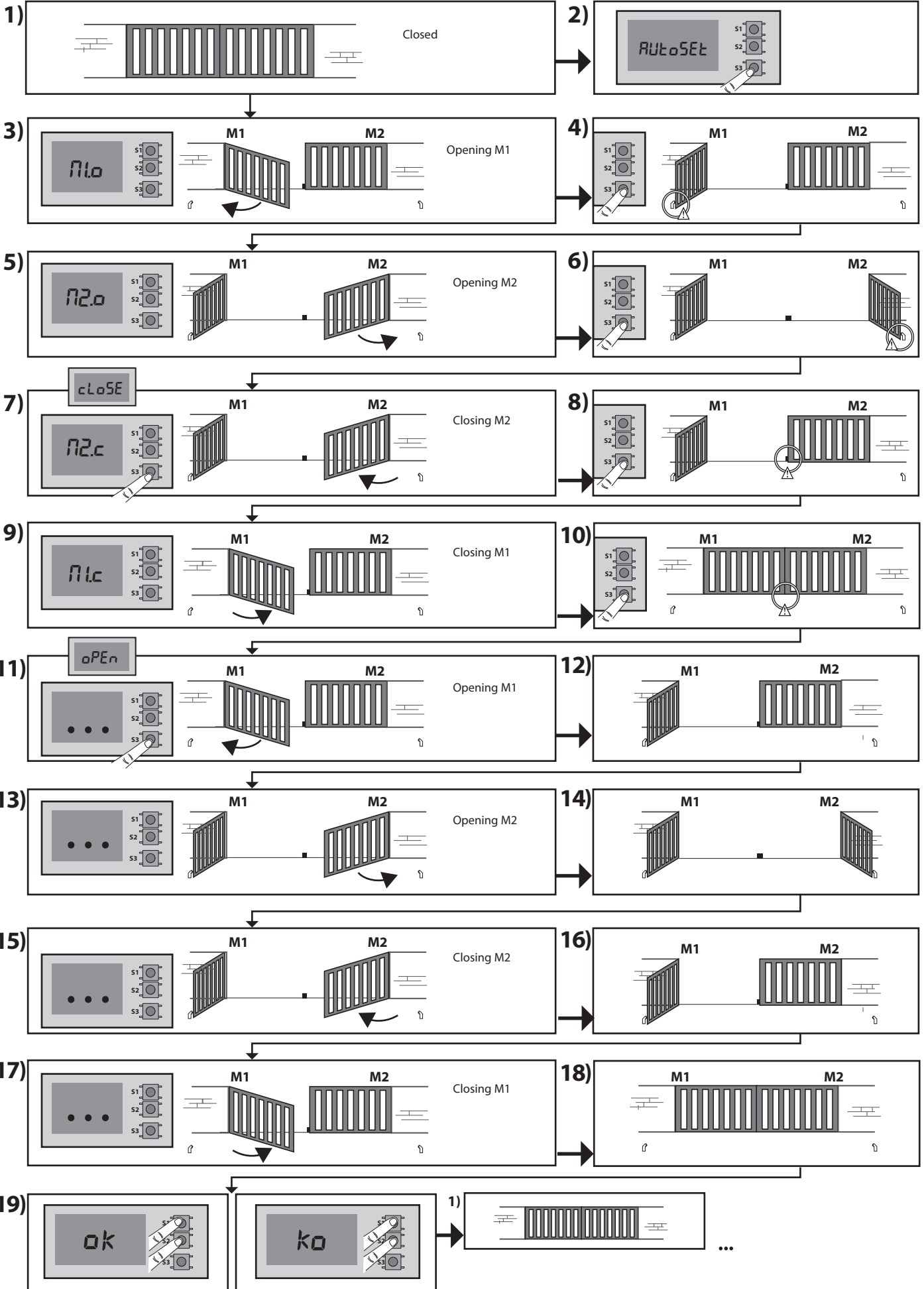
D1

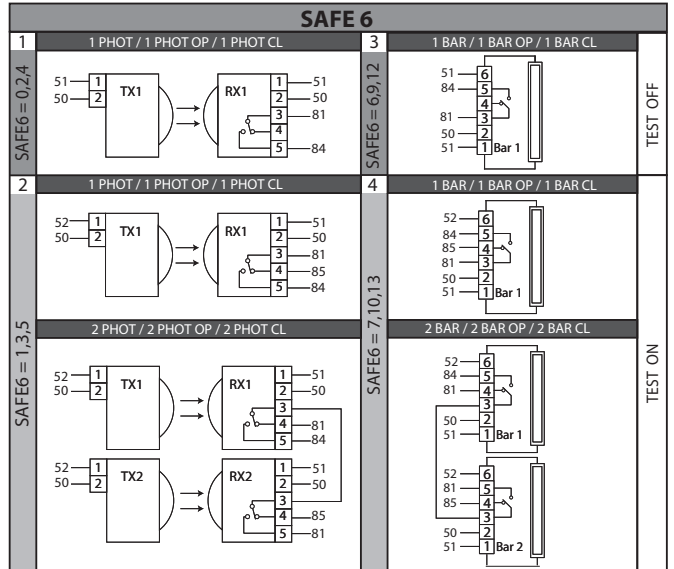
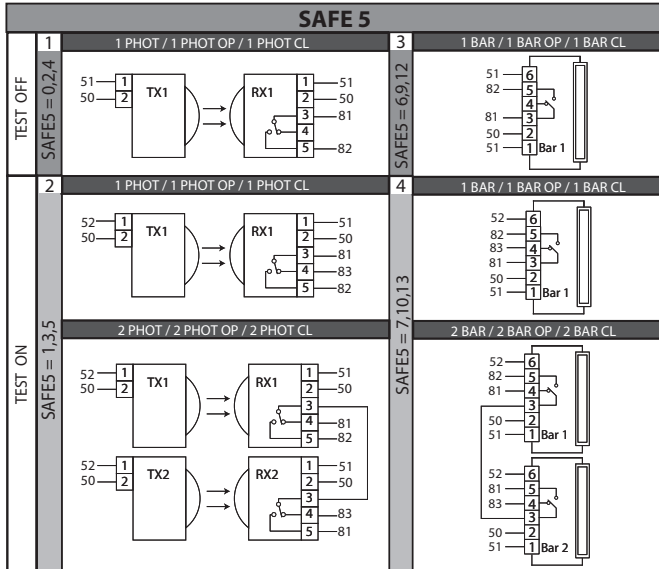
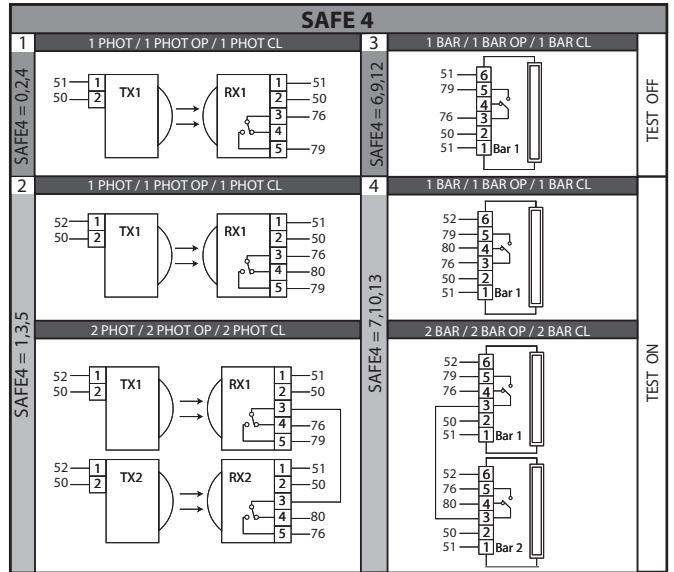
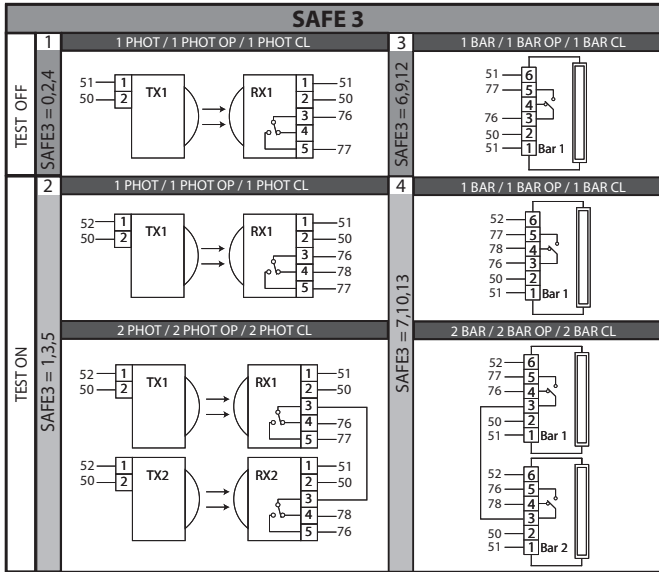
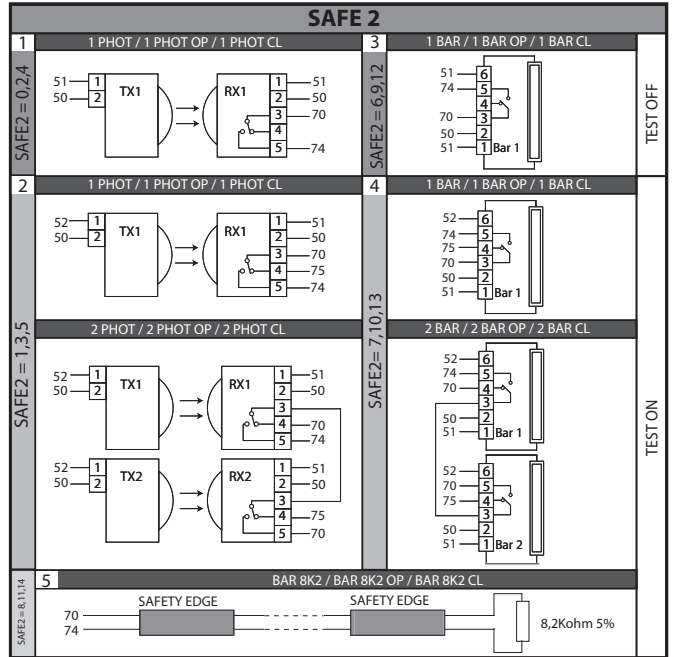
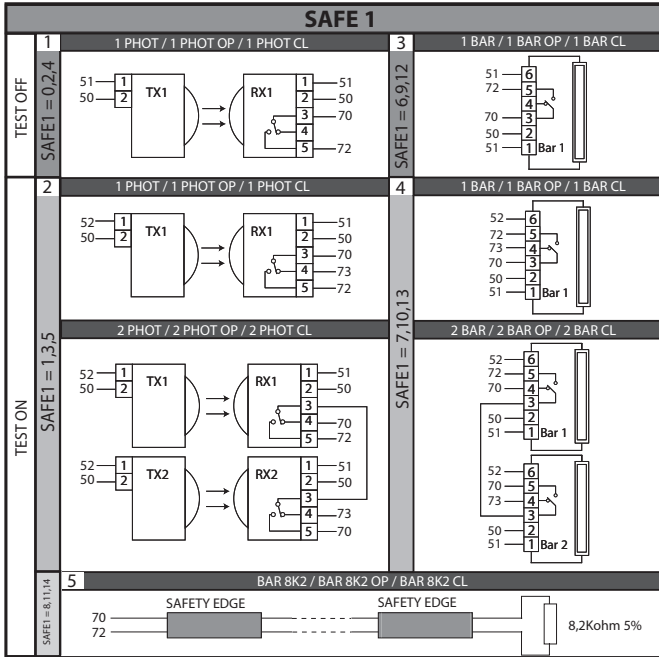
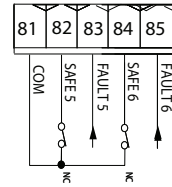
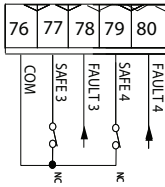
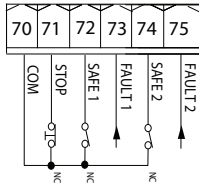
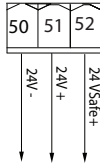


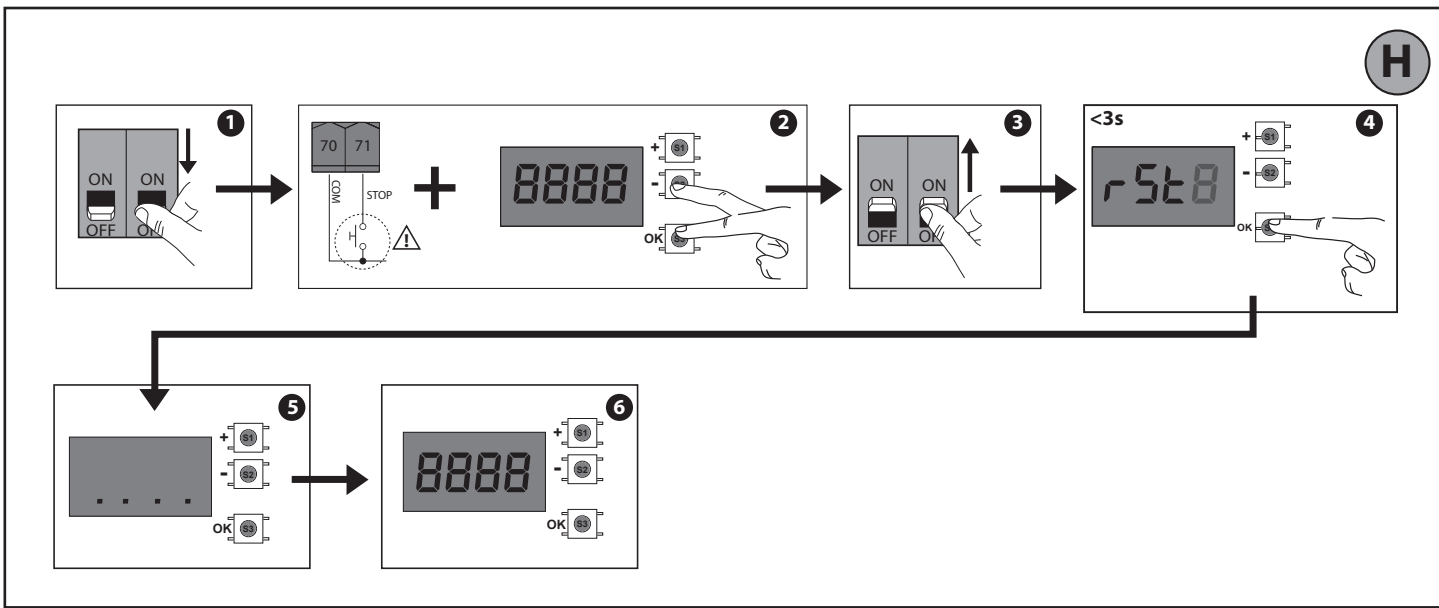
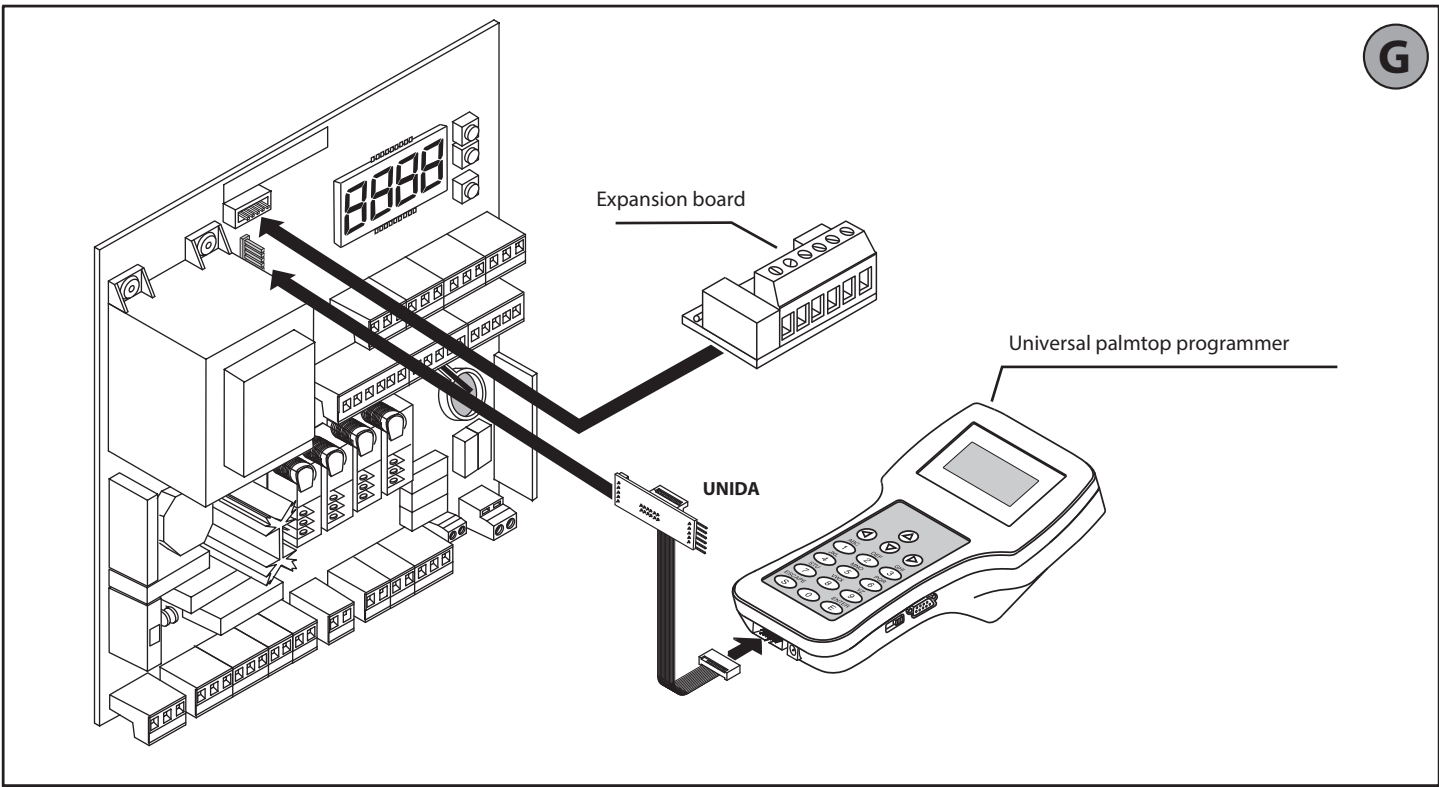
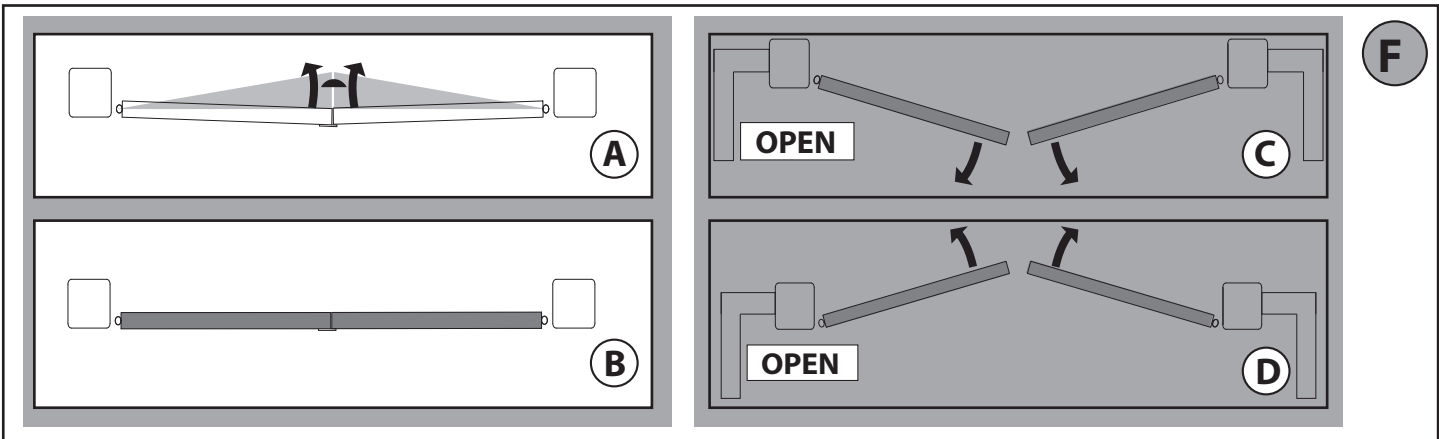
AUTOSET FOR MOTORS WITH NO LIMIT SWITCHES

D2

D812958 00100_07







CHRONO MENU PROGRAMMING



Values are programmable in 10 minutes' steps

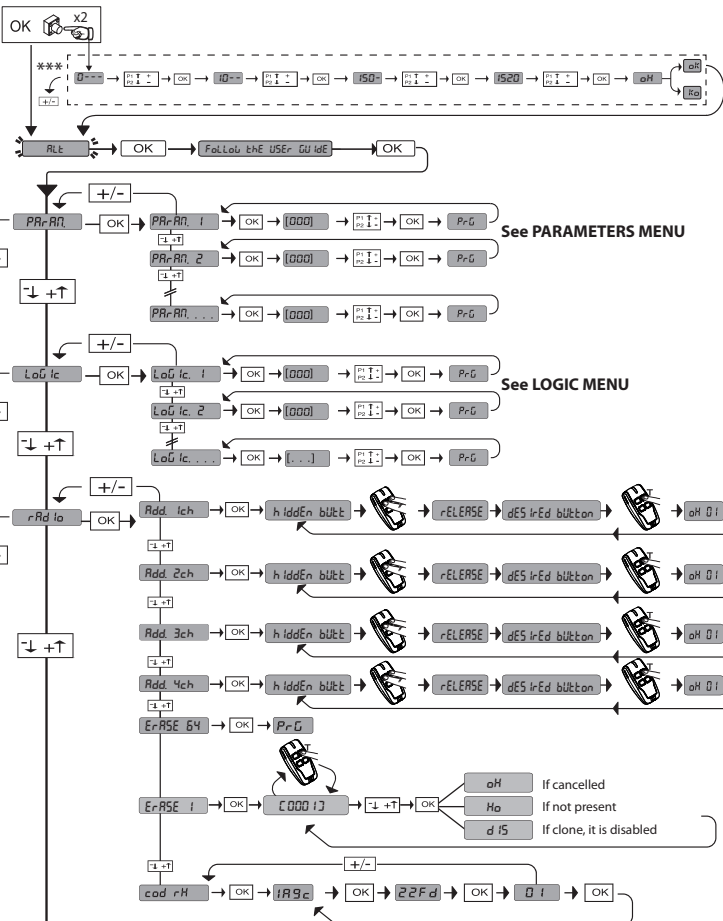
	Monday	Tuesday	Wednesday	Thursday	Friday	Saturday	Sunday
00:00							
01:00							
02:00							
03:00							
04:00							
05:00							
06:00							
07:00							
08:00							
09:00							
10:00							
11:00							
12:00							
13:00							
14:00							
15:00							
16:00							
17:00							
18:00							
19:00							
20:00							
21:00							
22:00							
23:00							

	Monday	Tuesday	Wednesday	Thursday	Friday	Saturday	Sunday
Time band 1	Beginning	Beginning	Beginning	Beginning	Beginning	Beginning	Beginning
	07.00	07.00	06.00	07.00	07.00	10.00	10.00
	End	End	End	End	End	End	End
Time band 2	12.00	12.00	12.00	12.00	12.00	12.00	12.00
	Beginning	Beginning	Beginning	Beginning	Beginning	Beginning	Beginning
	14.00	00.00	14.00	00.00	14.00	00.00	00.00
	End	End	End	End	End	End	End
	18.00	00.00	18.00	00.00	18.00	00.00	00.00

No scheduled time zone. It is left at 0

ACCESS MENUS Fig. 1

D812958 00100_07



*** Password entry.
Request with Protection Level
logic set to 1, 2, 3, 4

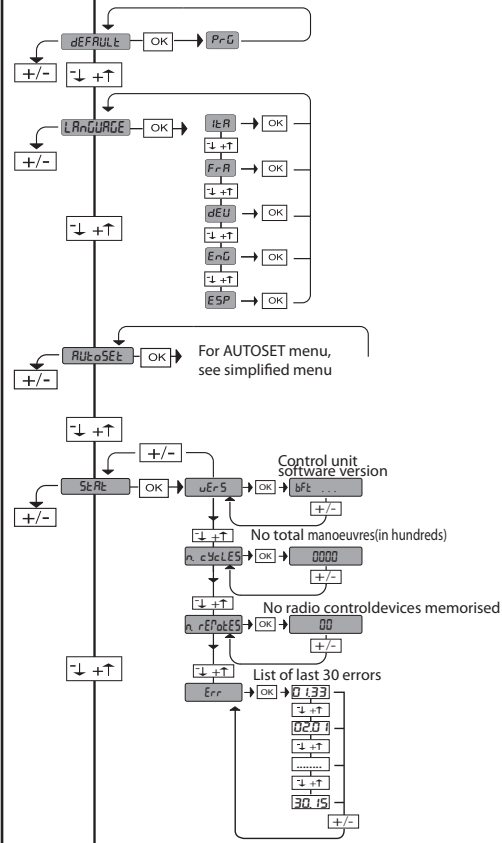
LEGENDA

⬆️ ↑ Scroll up

⬇️ ↓ Scroll down

⏹️ OK Confirm/Switch on display

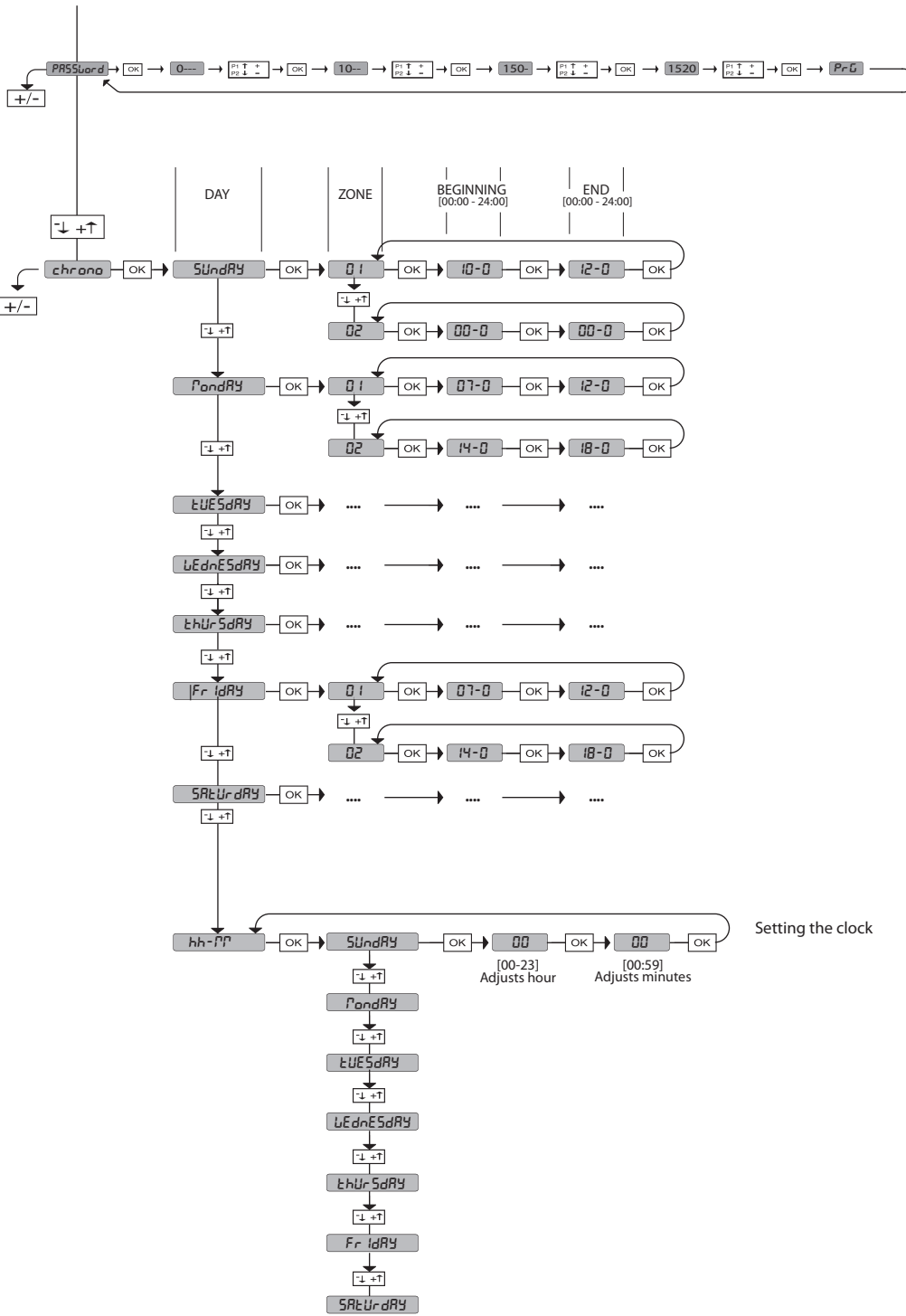
+/- Exit Menu



Diagnostics code	DESCRIPTION	NOTES
StErE	START E external start input activated	
StEr I	START I internal start input activated	
oPEn	OPEN input activated	
cLS	CLOSE input activated	
PEd	PED pedestrian input activated	
tIME	TIMER input activation or activation time band	
StoP	STOP input activated	
Phot	Activation of PHOT photocell input or, if configured as verified photocell, Activation of the associated FAULT input	
PhoP	Activation of PHOT OP opening photocell input or, if configured as active verified photocell only when opening, Activation of the associated FAULT input	
PhcL	Activation of PHOTCL closing photocell input or, if configured as active verified photocell only when closing, Activation of the associated FAULT input	
bARr	Activation of BAR safety edge input or, if configured as verified safety edge, Activation of the associated FAULT input	
bARo	Activation of BAR safety edge input with ACTIVE reversal ONLY WHILE OPENING, or, if configured as verified safety edge active only while opening, Activation of the associated FAULT input	
bARc	Activation of BAR safety edge input with ACTIVE reversal ONLY WHILE CLOSING, or, if configured as verified safety edge active only while closing, Activation of the associated FAULT input	
Swc1	SWC1 motor 1 closing limit switch input activated	
Swo1	SWO1 motor 1 opening limit switch input activated	
Swc2	SWC2 motor 2 closing limit switch input activated	
Swo2	SWO2 motor 2 opening limit switch input activated	
Er01	Photocell test failed	Check photocell connection and/or logic settings
Er02	Safety edge test failed	Check safety edge connection and/or logic settings
Er03	Opening photocell test failed	Check photocell connection and/or parameter/logic setting
Er04	Closing photocell test failed	Check photocell connection and/or parameter/logic setting
Er06	8k2 safety edge test failed	Check safety edge connection and/or parameter/logic settings
Er07	Opening safety edge test failed	Check safety edge connection and/or parameter/logic settings
Er08	Closing safety edge test failed	Check safety edge connection and/or parameter/logic settings
ErIH*	Board hardware test error	- Check connections to motor - Hardware problems with board (contact technical assistance)
Er3H*	Reverse due to obstacle - Amperostop	Check for obstacles in path
Er70, Er71, Er74, Er75	Internal system supervision control error.	Try switching the board off and back on again. If the problem persists, contact the technical assistance department.
Er72	Consistency error of the control unit's parameters (Logics and Parameters)	Pressing OK the detected settings are confirmed. The board will keep on working with the detected settings. ⚠️ The board settings must be checked (Parameters and Logics)
Er73	D-track parameter error	Pressing OK, the board will keep on working with D-track as a default. ⚠️ An autoset is required
ErF3	Error in setting the SAFE inputs	Check the setting of the SAFE inputs is correct
ErF9	Solenoid lock output overload	- Check lock connections - Unsuitable lock

*H= 0, 1, ..., 9, A, B, C, D, E, F

ACCESS MENUS Fig. 1



Setting the clock

INSTALLATION MANUAL

2) GENERAL INFORMATION

The **RIGEL 6** control panel comes with standard factory settings. Any change must be made using the programmer with built-in display or universal handheld programmer. The Control unit completely supports the EELINK protocol.

Its main features are:

- Check of 1 or 2 single-phase motors fitted with thermostat
- Control of 1 or 2 single phase motors
- Note: 2 motors of the same type must be used.
- Opening/closing limit switch control inputs, separate for each motor
- Separate inputs for safety devices
- Time band management
- Integrated obstacle detection
- Motor pre-heating with integrated sensor reading
- Adjustable electrodynamic braking
- Approach speed slow-down
- Built-in radio receiver rolling code with transmitter cloning.

The board has a terminal strip of the removable kind to make maintenance or replacement easier. It comes with a series of prewired jumpers to make the installer's job on site easier.

The jumpers concern terminals: 41-42, 41-43, 41-44, 41-45, 70-71, 70-72, 70-74, 76-77, 76-79, 81-82, 81-84. If the above-mentioned terminals are being used, remove the relevant jumpers.

TESTING

The **RIGEL 6** panel controls (checks) the run relays, triacs and safety devices (photo-cells and edges), before performing each opening and closing cycle.

If there is a malfunction, make sure that the connected devices are working properly and check the wiring.

ATTENTION! if the leaf is installed in a public area or if an automatic operating mode is enabled, we recommend a pair of photocells is installed at a height of 5 cm together with another pair at a height of 40-50 cm. Automatic mode means any control not voluntarily activated by the user (example: TCA function, chrono, etc.)

3) TECHNICAL SPECIFICATIONS

Power supply	110-120V 50/60Hz 220-230V 50/60Hz
Low voltage/mains insulation	> 2MOhm 500V ---
Dielectric rigidity	mains/LV 3750V~ for 1 minute
Accessories power supply	24V~ (demand max. 1A) 24V~safe

AUX 0	Powered contact 110-120 / 220-230V~ N.O. (80W MAX)	⚠ AUX0+ AUX1+ AUX2= 80W MAX
AUX 1	Powered contact 110-120 / 220-230V~ N.O. (80W MAX)	
AUX 2	NO contact (MAX 110-120V~ 80W) (MAX 220-230V~ 80W)	
AUX 3	NO contact (Max 24V~)	10W MAX
LOCK	Output for 12V--- solenoid lock:	10W MAX
Dimensions	see Fig. B	
Fuses	see Fig. C	
N° of combinations	4 billion	
Max,n° of transmitters that can be memorized	63	

Use cycle	continuous	continuous	1 min. ON/ 2 min. OFF	1 min. ON/ 2 min. OFF
Operating temperature range	-20°C/+50°C	-20°C/+55°C	-20°C/+50°C	-20°C/+55°C
Maximum motor power 220-230V	2x375 W 1x750 W	2x250 W 1x500 W	2x650 W 1x750 W	2x500 W 1x750 W
Maximum motor power 110-120V	2x195 W 1x390 W			

⚠ (110-120V) M1+M2+AUX0+AUX1+AUX2+AUX3+LOCK= 680W MAX @ T=+50°C

⚠ (220-230V) M1+M2+AUX0+AUX1+AUX2+AUX3+LOCK= 1300W MAX @ T=+50°C

Usable transmitter versions:

All ROLLING CODE transmitters compatible with ((€R-Ready))

4) TUBE ARRANGEMENT Fig. A

	Terminal	Definition	Description
Power supply	L	LINE	Single-phase power supply 110-120V 50/60Hz 220-230V 50/60Hz
	N	NEUTRAL	
	GND	EARTH	
Motor	10	MOT1 RUN	Connection motor 1. Time lag during closing.
	11	MOT 1 COM	
	12	MOT1 RUN	
	14	MOT2 RUN	Connection motor 2. Time lag during opening.
	15	MOT 2 COM	
	16	MOT2 RUN	
Aux	20	110-120 / 220-230 V~ POWERED CONTACT	⚠ AUX 0 configurable output - Default setting FLASHING LIGHT. MONOSTABLE RADIO CHANNEL/ SCA GATE OPEN LIGHT/ COURTESY LIGHT command/ ZONE LIGHT command/ STAIR LIGHT/ GATE OPEN ALARM/ FLASHING LIGHT/ SOLENOID LATCH/ MAGNETIC LOCK/ MAINTENANCE/ FLASHING LIGHT AND MAINTENANCE / GATE STATUS / BISTABLE RADIO CHANNEL / TIMED RADIO CHANNEL. Refer to "AUX output configuration" table.
	21		
	22	110-120 / 220-230 V~ POWERED CONTACT	⚠ AUX 1 configurable output - Default setting ZONE LIGHT Output. MONOSTABLE RADIO CHANNEL/ SCA GATE OPEN LIGHT/ COURTESY LIGHT command/ ZONE LIGHT command/ STAIR LIGHT/ GATE OPEN ALARM/ FLASHING LIGHT/ SOLENOID LATCH/ MAGNETIC LOCK/ MAINTENANCE/ FLASHING LIGHT AND MAINTENANCE / GATE STATUS / BISTABLE RADIO CHANNEL / TIMED RADIO CHANNEL. Refer to "AUX output configuration" table.
	23		
	24	AUX 2 - FREE CONTACT (N.O.)	AUX 2 configurable output - Default setting SCA GATE OPEN LIGHT Output. MONOSTABLE RADIO CHANNEL/ SCA GATE OPEN LIGHT/ COURTESY LIGHT command/ ZONE LIGHT command/ STAIR LIGHT/ GATE OPEN ALARM/ FLASHING LIGHT/ SOLENOID LATCH/ MAGNETIC LOCK/ MAINTENANCE/ FLASHING LIGHT AND MAINTENANCE / GATE STATUS / BISTABLE RADIO CHANNEL / TIMED RADIO CHANNEL. Refer to "AUX output configuration" table.
	25		
	26	AUX 3 - FREE CONTACT (N.O.)	AUX 3 configurable output - Default setting MONOSTABLE RADIO CHANNEL Output. MONOSTABLE RADIO CHANNEL/ SCA GATE OPEN LIGHT/ COURTESY LIGHT command/ ZONE LIGHT command/ STAIR LIGHT/ GATE OPEN ALARM/ FLASHING LIGHT/ SOLENOID LATCH/ MAGNETIC LOCK/ MAINTENANCE/ FLASHING LIGHT AND MAINTENANCE / GATE STATUS / BISTABLE RADIO CHANNEL / TIMED RADIO CHANNEL. Refer to "AUX output configuration" table.
	27		
28	LOCK 12V ---	Type of lock logic= 0 - 12V--- solenoid latch output. Output activated with a pulse each time gate is opened or closed	(MODEL ECB)
29		Type of lock logic= 1 - 12V--- magnetic lock output. Output activated when gate is closed or closing	
Limit switch	40		Not used
	41	+ REF SWE	Limit switch common
	42	SWC 1	Motor 1 closing limit switch SWC1 (N.C.).
	43	SWO 1	Motor 1 opening limit switch SWO1 (N.C.).
	44	SWC 2	Motor 2 closing limit switch SWC2 (N.C.).
Accessories power supply	45	SWO 2	Motor 2 opening limit switch SWO2 (N.C.).
	50	24V-	Accessories power supply output.
	51	24V+	
	52	24 Vsafe+	Tested safety device power supply output (photocell transmitter and safety edge transmitter). Output active only during operating cycle.

INSTALLATION MANUAL

	Terminal	Definition	Description
Commands	60	Common	IC 1 and IC 2 inputs common
	61	IC 1	Configurable command input 1 (N.O.) - Default START E. START E / START I / OPEN / CLOSE / PED / TIMER / TIMER PED Refer to the "Command input configuration" table.
	62	IC 2	Configurable command input 2 (N.O.) - Default PED. START E / START I / OPEN / CLOSE / PED / TIMER / TIMER PED Refer to the "Command input configuration" table.
	63	Common	IC 3 and IC 4 inputs common
	64	IC 3	Configurable command input 3 (N.O.) - Default OPEN. START E / START I / OPEN / CLOSE / PED / TIMER / TIMER PED Refer to the "Command input configuration" table.
	65	IC 4	Configurable command input 4 (N.O.) - Default CLOSE. START E / START I / OPEN / CLOSE / PED / TIMER / TIMER PED Refer to the "Command input configuration" table.
Safety devices	70	Common	STOP, SAFE 1 and SAFE 2 inputs common
	71	STOP	The command stops movement. (N.C.) If not used, leave jumper inserted.
	72	SAFE 1	Configurable safety input 1 (N.C.) - Default PHOT. PHOT / PHOT TEST / PHOT OP / PHOT OP TEST / PHOT CL / PHOT CL TEST / BAR / BAR TEST / BAR 8K2 / BAR OP / BAR OP TEST / BAR 8K2 OP / BAR CL / BAR CL TEST / BAR 8K2 CL. Refer to the "Safety input configuration" table.
	73	FAULT 1	Test input for safety devices connected to SAFE 1.
	74	SAFE 2	Configurable safety input 2 (N.C.) - Default BAR. PHOT / PHOT TEST / PHOT OP / PHOT OP TEST / PHOT CL / PHOT CL TEST / BAR / BAR TEST / BAR 8K2 / BAR OP / BAR OP TEST / BAR 8K2 OP / BAR CL / BAR CL TEST / BAR 8K2 CL. Refer to the "Safety input configuration" table.
	75	FAULT 2	Test input for safety devices connected to SAFE 2.
	76	Common	SAFE 3 and SAFE 4 inputs common
	77	SAFE 3	Configurable safety input 3 (N.C.) - Default PHOT OP. PHOT / PHOT TEST / PHOT OP / PHOT OP TEST / PHOT CL / PHOT CL TEST / BAR / BAR TEST / BAR OP / BAR OP TEST / BAR CL / BAR CL TEST / Refer to the "Safety input configuration" table.
	78	FAULT 3	Test input for safety devices connected to SAFE 3.
	79	SAFE 4	Configurable safety input 4 (N.C.) - Default PHOT CL. PHOT / PHOT TEST / PHOT OP / PHOT OP TEST / PHOT CL / PHOT CL TEST / BAR / BAR TEST / BAR OP / BAR OP TEST / BAR CL / BAR CL TEST / Refer to the "Safety input configuration" table.
	80	FAULT 4	Test input for safety devices connected to SAFE 4.
	81	Common	SAFE 5 and SAFE 6 inputs common
	82	SAFE 5	Configurable safety input 5 (N.C.) - Default PHOT. PHOT / PHOT TEST / PHOT OP / PHOT OP TEST / PHOT CL / PHOT CL TEST / BAR / BAR TEST / BAR OP / BAR OP TEST / BAR CL / BAR CL TEST / Refer to the "Safety input configuration" table.
83	FAULT 5	Test input for safety devices connected to SAFE 5.	
84	SAFE 6	Configurable safety input 6 (N.C.) - Default BAR. PHOT / PHOT TEST / PHOT OP / PHOT OP TEST / PHOT CL / PHOT CL TEST / BAR / BAR TEST / BAR OP / BAR OP TEST / BAR CL / BAR CL TEST / Refer to the "Safety input configuration" table.	
85	FAULT 6	Test input for safety devices connected to SAFE 6.	
Antenna	Y	ANTENNA	Antenna input.
	#	SHIELD	Use an antenna tuned to 433MHz. Use RG58 coax cable to connect the Antenna and Receiver. Metal bodies close to the antenna can interfere with radio reception. If the transmitter's range is limited, move the antenna to a more suitable position.
NTC		NTC	Input for temperature sensor connection

AUX output configuration

Aux logic= 0 - MONOSTABLE RADIO CHANNEL output.
Contact stays closed for 1s when radio channel is activated.

Aux logic= 1 - SCA GATE OPEN LIGHT output.
Contact stays closed during opening and with leaf open, intermittent during closing, open with leaf closed.

Aux logic= 2 - COURTESY LIGHT command output.
Contact stays on for 90 seconds after the last operation.

Aux logic= 3 - ZONE LIGHT command output.
Contact stays closed for the full duration of operation.

Aux logic= 4 - STAIR LIGHT output.
Contact stays closed for 1 second at start of operation.

Aux logic= 5 - GATE OPEN ALARM output.
Contact stays closed if the leaf stays open for double the set TCA time.

Aux logic= 6 - FLASHING LIGHT output.
Contact stays closed while leaves are operating.

Aux logic= 7 - SOLENOID LATCH output.
Contact stays closed for 2 seconds each time gate is opened or closed.

Aux logic= 8 - MAGNETIC LOCK output.
Contact stays closed when gate is closed and while it is closing.

Aux logic= 9 - MAINTENANCE output.
Contact stays closed once the value set for the Maintenance parameter is reached, to report that maintenance is required.

Aux logic= 10 - FLASHING LIGHT AND MAINTENANCE output.
Contact stays closed while leaves are operating. If the value set for the Maintenance parameter is reached, once the gate has finished moving and the leaf is closed, the contact closes for 10 sec. and opens for 5 sec. 4 times to report that maintenance is required.

Aux logic= 11 - Not available

INSTALLATION MANUAL

D812958 00100_07

AUX output configuration

Aux logic= 12 - Not available

Aux logics= 13 - GATE STATUS output
Contact stays closed while gate is closed.

AUX logics= 14 - BISTABLE RADIO CHANNEL output
The contact changes status (open-closed) when the radio channel is activated

AUX logics= 15 - TIMED RADIO CHANNEL output
The contact remains closed for a programmable length of time when the radio channel is activated (output time)
If, during this time, the button is pressed again, counting starts all over again.

Command input configuration

IC logic= 0 - Input configured as Start E. Operation according to *5tEP-by-5tEP* flow. logic. External start for traffic light control.

IC logic= 1 - Input configured as Start I. Operation according to *5tEP-by-5tEP* flow. logic. Internal start for traffic light control.

IC logic= 2 - Input configured as Open.
The command causes the leaves to open. If the input stays closed, the leaves stay open until the contact is opened. When the contact is open, the automated device closes following the TCA time, where activated.

IC logic= 3 - Input configured as Closed.
The command causes the leaves to close.

IC logic= 4 - Input configured as Ped.
The command causes the leaf to open to the pedestrian (partial) opening position. Operation according to *5tEP-by-5tEP* logic

IC logic= 5 - Input configured as Timer.
Operation same as open except closing is guaranteed even after a mains power outage.

IC logic= 6 - Input configured as Timer Ped.
The command causes the leaf to open to the pedestrian (partial) opening position. If the input stays closed, the leaf stays open until the contact is opened. If the input stays closed and a Start E, Start I or Open command is activated, a complete opening-closing cycle is performed before returning to the pedestrian opening position. Closing is guaranteed even after a mains power outage.

Safety input configuration

SAFE logic= 0 - Input configured as Phot (photocell) non tested (*). (fig.F, ref.1).
Enables connection of devices not equipped with supplementary test contacts. When beam is broken, photocells are active during both opening and closing. When beam is broken during closing, movement is reversed only once the photocell is cleared. If not used, leave jumper inserted.

SAFE logic= 1 - Input configured as Phot test (tested photocell). (fig.F, ref.2).
Switches photocell testing on at start of operation. When beam is broken, photocells are active during both opening and closing. When beam is broken during closing, movement is reversed only once the photocell is cleared.

SAFE logic= 2 - Input configured as Phot op (photocell active during opening only) non tested (*). (fig.F, ref.1).
Enables connection of devices not equipped with supplementary test contacts. In the event beam is broken, photocell operation is disabled during closing. During opening, stops motion for as long as the photocell beam stays broken. If not used, leave jumper inserted.

SAFE logic= 3 - Input configured as Phot op test (tested photocell active during opening only) (fig.F, ref.2).
Switches photocell testing on at start of operation. In the event beam is broken, photocell operation is disabled during closing. During opening, stops motion for as long as the photocell beam stays broken.

SAFE logic= 4 - Input configured as Phot cl (photocell active during closing only) non tested (*). (fig.F, ref.1).
Enables connection of devices not equipped with supplementary test contacts. In the event beam is broken, photocell operation is disabled during opening. During closing, movement is reversed immediately. If not used, leave jumper inserted.

SAFE logic= 5 - Input configured as Phot cl test (tested photocell active during closing only) (fig.F, ref.2).
Switches photocell testing on at start of operation. In the event beam is broken, photocell operation is disabled during opening. During closing, movement is reversed immediately.

SAFE logic= 6 - Input configured as Bar (safety edge) non tested (*). (fig.F, ref.3).
Enables connection of devices not equipped with supplementary test contacts. The command reverses movement for 2 sec.. If not used, leave jumper inserted.

SAFE logic= 7 - Input configured as Bar (tested safety edge) (fig.F, ref.4).
Switches safety edge testing on at start of operation. The command reverses movement for 2 sec.

SAFE logic= 8 - Input configured as Bar 8k2 (fig.F, ref.5). Input for resistive edge 8K2.
The command reverses movement for 2 sec.

SAFE logic=9 Input configured as Bar op, safety edge with active inversion only while opening, if activated while closing, the automation stops (STOP) (Fig. F, ref. 3).
Allows connecting devices not fitted with supplementary test contact. The operation while opening causes the movement to be reversed for 2 seconds, the operation while closing causes the automation to stop. If not used, leave jumper inserted.

SAFE logic=10 Input configured as Bar op test, safety edge checked with active inversion only while opening, if activated while closing, the automation stops (STOP) (Fig. F, ref. 4).
Activates testing safety edges when starting operation. The operation while opening causes the movement to be reversed for 2 seconds, the operation while closing causes the automation to stop.

SAFE logic=11 Input configured as Bar 8k2 op, 8k2 safety edge with active inversion only while opening, if activated while closing, the automation stops (STOP) (Fig. F, ref. 5).
The operation while opening causes the movement to be reversed for 2 seconds, the operation while closing causes the automation to stop.

SAFE logic=12 Input configured as Bar cl, safety edge with active inversion only while closing, if activated while opening, the automation stops (STOP) (Fig. F, ref. 3).
Allows connecting devices not fitted with supplementary test contact. The operation while closing causes the movement to be reversed for 2 seconds, the operation while opening causes the automation to stop. If not used, leave jumper inserted.

SAFE logic=13 Input configured as Bar cl test, safety edge checked with active inversion only while closing, if activated while opening, the automation stops (STOP) (Fig. F, ref. 4).
Activates testing safety edges when starting operation. The operation while closing causes the movement to be reversed for 2 seconds, the operation while opening causes the automation to stop.

SAFE logic=14 Input configured as Bar 8k2 cl, safety edge with active inversion only while closing, if activated while opening, the automation stops (STOP) (Fig. F, ref. 5).
The operation while closing causes the movement to be reversed for 2 seconds, the operation while opening causes the automation to stop.

(*) If "D" type devices are installed (as defined by EN12453), connect in unverified mode, foresee mandatory maintenance at least every six months.

5) TERMINAL BOARD WIRING Fig. C

WARNINGS - When performing wiring and installation, refer to the standards in force and, whatever the case, apply good practice principles.

Wires carrying different voltages must be kept physically separate from each other, or they must be suitably insulated with at least 1 mm of additional insulation. Wires must be secured with additional fastening near the terminals, using devices such as cable clamps.

All connecting cables must be kept far enough away from the dissipater.

6) SAFETY DEVICES

Note: only use receiving safety devices with free changeover contact.

6.1) TESTED DEVICES Fig. F**6.2) CONNECTION OF 1 PAIR OF NON-TESTED PHOTOCELLS FIG. D****7) CALLING UP MENUS: FIG. 1****7.1) PARAMETERS MENU (PR-RT) (PARAMETERS TABLE "A")****7.2) LOGIC MENU (LOG ic) (LOGIC TABLE "B")****7.3) RADIO MENU (RAD id) (RADIO TABLE "C")**

IMPORTANT NOTE: THE FIRST TRANSMITTER MEMORIZED MUST BE IDENTIFIED BY ATTACHING THE KEY LABEL (MASTER).

In the event of manual programming, the first transmitter assigns the RECEIVER'S KEY CODE; this code is required to subsequently clone the radio transmitters.

The Clonix built-in on-board receiver also has a number of important advanced features:

- Cloning of master transmitter (rolling code or fixed code).
- Cloning to replace transmitters already entered in receiver.
- Transmitter database management.
- Receiver community management.

To use these advanced features, refer to the universal handheld programmer's instructions and to the general receiver programming guide.

If a 4-channel remote control is used, keep one for the STOP function.

7.4) DEFAULT MENU (DEFAULT)

Restores the controller's DEFAULT factory settings. Following this reset, you will need to run the AUTOSET function again.

7.5) LANGUAGE MENU (LANGUAGE)

Used to set the programmer's language on the display.

7.6) AUTOSET MENU (AUTOSET)

Autoset for motors with limit switches (Fig. E1):

- 1 - Place the leaves at the closing limit switch.
 - 2 - Start an autoset from the relative menu, press the OK button start motor 1's opening manoeuvre.
 - 3 - The display shows "M1.o".
 - 4 - Wait for the opening limit switch to be triggered to finish motor 1's opening manoeuvre.
 - 5 - Motor 2 starts opening automatically. A displays "M2.o".
 - 6 - Wait for the opening limit switch to be triggered to finish motor 2's opening manoeuvre, the display shows the message "CLOSE".
 - 7 - Press the OK button to start motor 2's closing manoeuvre. A displays "M2.c".
 - 8 - Wait for the closing limit switch to be triggered to finish motor 2's closing manoeuvre.
 - 9 - Motor 1 starts closing automatically. A displays "M1.c".
 - 10 - Wait for the closing limit switch to be triggered to finish motor 1's closing manoeuvre.
- If the work time has been stored correctly, the display shows "OPEN".
- 11 - Press the OK button to start the second cycle and calculate the torque value required for the leaf/ves to move, the display shows "M1.o".
 - 12 - Wait for the opening limit switch to be triggered to finish motor 1's opening manoeuvre.
 - 13 - Motor 2 starts opening automatically. A displays "M2.o".
 - 14 - Wait for the opening limit switch to be triggered to finish motor 2's opening manoeuvre, the display shows the message "CLOSE".
 - 15 - Press the OK button to start motor 2's closing manoeuvre. A displays "M2.c".
 - 16 - Wait for the closing limit switch to be triggered to finish motor 2's closing manoeuvre.
 - 17 - Motor 1 starts closing automatically. A displays "M1.c".
 - 18 - Wait for the closing limit switch to be triggered to finish motor 1's closing manoeuvre.
 - 19 - If the autoset has completed correctly, the display shows "OK", if autoset fails, the display shows the message "KO" and the operation must be repeated from phase 1.

If motor 1 is set to active, the phases relative to motor 2 are not performed.

Autoset for motors with no limit switches (Fig. E2):

- 1 - Place the leaves at the closing stops.
 - 2 - start an autoset from the relative menu, pressing the OK button start motor 1's opening manoeuvre.
 - 3 - The display shows "M1.o".
 - 4 - Press the OK button to finish motor 1's opening manoeuvre. A displays "M2.o".
 - 5 - Motor 2 starts opening automatically.
 - 6 - Press the OK button to finish motor 2's opening manoeuvre, the display shows "CLOSE".
 - 7 - Press the OK button to start motor 2's closing manoeuvre. A displays "M2.c".
 - 8 - Press the OK button to finish motor 2's closing manoeuvre. A displays "M1.c".
 - 9 - Motor 1 starts closing automatically.
 - 10 - Press the OK button to finish motor 1's closing manoeuvre.
- If the work time has been stored correctly, the display shows "OPEN".
- 11 - Press the OK button to start the second cycle and calculate the torque value required for the leaf/ves to move, the display shows "M1.o".
 - 12 - Wait for motor 1's work time to intervene to finish motor 1's opening manoeuvre.
 - 13 - Motor 2 starts opening automatically. A displays "M2.o".
 - 14 - Wait for Motor 2's work time to intervene to finish motor 2's opening manoeuvre, the display shows the message "CLOSE".
 - 15 - Press the OK button to start motor 2's closing manoeuvre. A displays "M2.c".
 - 16 - Wait for motor 2's work time to intervene to finish motor 2's closing manoeuvre.
 - 17 - Motor 1 starts closing automatically. A displays "M1.c".
 - 18 - Wait for motor 1's work time to intervene to finish motor 1's closing manoeuvre.

19 - If the autoset has completed correctly, the display shows "OK", if autoset fails, the display shows the message "KO" and the operation must be repeated from phase 1.

If motor 1 is set to active, the phases relative to motor 2 are not performed.

During this stage, it is important to avoid breaking the photocells' beams, causing the safety devices to intervene, and not to use the START, STOP, OPEN and CLOSE controls or the display.

Once this operation is completed, the control unit will have automatically set the optimum parameters and work times. Check them and, where necessary, edit them as described in the programming section.



WARNING!! Check that the force of impact measured at the points provided for by standard EN 12445 is lower than the value laid down by standard EN 12453.



The impact forces must be limited with the use of active coasts accordance with EN12978.



Warning!! While the autoset function is running, the obstacle detection function is not active. Consequently, the installer must monitor the automated system's movements and keep people and property out of range of the automated system.

7.7) INSTALLATION TEST PROCEDURE

1. Apply pressure-sensitive or electro-sensitive protective devices (such as a safety edge)
 2. Run the AUTOSET cycle (*)
 3. Check the impact forces: if they fall within the limits. Skip to point 5 of the procedure, otherwise
 4. Allow the drive to move only in "Deadman" mode
 5. Make sure all devices designed to detect obstacles within the system's operating range are working properly
- (*) Before running the autoset function, make sure you have performed all the assembly and make-safe operations correctly, as set out in the installation warnings in the drive's manual and have set the opening/closing strength, slow-down and slow-down time parameters.

7.8) STATISTICS MENU

Used to view the version of the board, the total number of operations (in hundreds), the number of transmitters memorized and the last 30 errors (the first 2 digits indicate the position, the last 2 give the error code). Error 01 is the most recent.

7.9) PASSWORD MENU

Used to set a password for the board's wireless programming via the U-link network. With "PROTECTION LEVEL" logic set to 1,2,3,4, the password is required to access the programming menus. After 10 consecutive failed attempts to log in, you will need to wait 3 minutes before trying again. During this time, whenever an attempt is made to log in, the display will read "BLOC". The default password is 1234.

7.10) CHRONO MENU Fig.J

Allows setting the operation by time bands.

Up to two daily time bands during which the gate remains open (from Monday to Sunday) can be set.

Within the time slot opening of the doors is performed that remain open until the end of the time slot.

**8) CLOSING LIMIT SWITCH PRESSURE Fig. G Ref. A-B
OPENING DIRECTION Fig. G Ref. C-D****9) CONNECTION WITH EXPANSION BOARDS AND UNIVERSAL HANDHELD PROGRAMMER.** Refer to specific manual.**10) U-LINK OPTIONAL MODULES**

Refer to the U-link instructions for the modules.

The use of some models causes lowered radio capacity. Adjust the system using an appropriate antenna tuned to 433MHz.

11) RESTORING FACTORY SETTINGS (Fig.I)

WARNING: this operation will restore the control unit's factory settings and all transmitters stored in its memory will be deleted.

WARNING! Incorrect settings can result in damage to property and injury to people and animals.

- Cut off power to the board (Fig.I ref.1)
- Open the Stop input and press the - and OK keys together (Fig.I ref.2)
- Switch on the board's power (Fig.I ref.3)
- The display will read RST; confirm within 3 sec. by pressing the OK key (Fig.I ref.4)
- Wait for the procedure to finish (Fig.I ref.5)
- Procedure finished (Fig.I ref.6)

WARNING! Incorrect settings can result in damage to property and injury to people and animals.



WARNING: Check that the force of impact measured at the points provided for by standard EN 12445 is lower than the value laid down by standard EN 12453.






Impact forces can be reduced by using deformable edges.

For best results, it is advisable to run the autoset function with the motors idle (i.e. not overheated by a considerable number of consecutive operations).


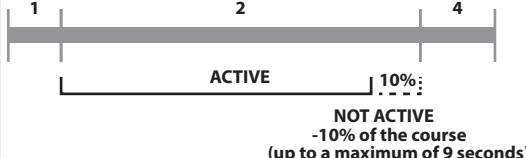
INSTALLATION MANUAL

D812958 00100_07

TABLE "A" - PARAMETERS MENU - (PR-RF)

Parameter	min.	max.	Default	Personal	Definition	Description
oPEn wOrkE tIME 1	3.0	180.0	60.0		Motor 1 opening work time [s]	Sets the value of motor 1 / 2 opening work time in seconds. At the end of an autoseq it is set with the actual motor work value.
oPEn wOrkE tIME 2	3.0	180.0	60.0		Motor 2 opening work time [s]	
cLS wOrkE tIME 1	3.0	180.0	60.0		Motor 1 closing work time [s]	Sets the value of motor 1 / 2 closing work time in seconds. At the end of an autoseq it is set with the actual motor work value.
cLS wOrkE tIME 2	3.0	180.0	60.0		Motor 2 closing work time [s]	
PRt IRL oPEnInG	3	90	6		Partial opening M1 [s]	Time of partial opening following the activation of motor M1 PED pedestrian control
oPEn dELAY tIME	0	30	3		Motor 2 opening delay time [s]	Motor 2 opening delay time with respect to motor 1.
cLS dELAY tIME	0	30	3		Motor 1 closing delay time [s]	Motor 1 closing delay time with respect to motor 2.
SLow - down t. Mot.1	0	30	0		Slow-down time motor 1 [s]	Sets the approach slow-down time. The slow-down time is subtracted from the work time. NOTE: Use this function only if a limit switch is installed. (***)
SLow - down t. Mot.2	0	30	0		Slow-down time motor 2 [s]	
tCR	0	120	10		Automatic closing time [s]	Waiting time before automatic closing.
tRFLLGhtCLrE	1	180	40		Time-to-clear traffic light zone [s]	Time-to-clear for the zone run through by traffic controlled by the traffic light.
oUtPUt tIME	1	240	10		Activation time of the timed output [s]	Activation length of timed radio channel output in seconds
oPForcE	1	99	50		Leaf force during opening [%]	Force exerted by leaf/leaves during opening. Represents the percentage of force delivered at speed in comparison with the maximum value.  WARNING: It affects impact force directly: make sure that current safety requirements are met with the set value (*). If necessary, install anti-crushing safety devices (**). (***)
cLSForcE	1	99	50		Leaf force during closing [%]	Force exerted by leaf/leaves during closing. Represents the percentage of force delivered at speed in comparison with the maximum value.  WARNING: It affects impact force directly: make sure that current safety requirements are met with the set value (*). If necessary, install anti-crushing safety devices (**). (***)
SLowForcE	1	99	50		Forza motori in rallentamento [%]	Force exerted by leaf / and slowdown. It represents the percentage of power supplied to slow down.  WARNING: It affects impact force directly: make sure that current safety requirements are met with the set value (*). If necessary, install anti-crushing safety devices (**). (***)
brAKE	0	99	0		Braking [%]	Set the braking value from 0% (min.) to 99% (max.) according to the gate weight and the mechanical demands involved.
EMER. brAKE	0	99	60		Emergency braking [%]	Sets the value between 0% (min.) and 99% (max.) of emergency braking, that is performed by activating the safety controls present at the inputs configured as BAR safety edge.
PrEHtERt.	0	99	30		Preheating [%]	Set the percentage value of the current from 0 (deactivated pre-heating) to 99% which can be made to pass through the motor windings to keep them at the right temperature. NOTE: the NTC temperature sensor must be connected The sensor must be placed and fixed in contact with the motor to detect the outside temperature

INSTALLATION MANUAL

Parameter	min.	max.	Default	Personal	Definition	Description
obSt.SEnS.	0	99	0		Obstacle sensitivity	<p>It allows activating obstacle detection. The function is disabled when the parameter is set to 0, setting the value between 1 and the maximum value, obstacle sensitivity can be increased (max value = max sensitivity).</p> <p>⚠ ATTENTION: This obstacle detection function does not guarantee compliance with the safety regulations in force (*). To comply with the current safety regulations, install adequate anti-crushing safety devices (**).</p> <p>⚠ ATTENTION: The system detects the obstacle only if the leaf is stopped; no obstacles breaking the leaf without managing to stop it are detected. Detection takes place only if the leaf meeting the obstacle is moving at normal speed. The obstacle is not detected during slow-down.</p> <p>The movement of the leaf is divided into these phases:</p>  <p>1= Pick-up 2= Operating speed 3= Slowdown 4= Overtravel</p> <p>The function is only active in phase 2.</p> <p>If the slowdown is not present (phase 3 not present), the last part of phase 2 (last 10% of the operating phase, with a maximum limit of 9 seconds) is also deactivated</p>  <p>1= Pick-up 2= Operating speed 4= Overtravel</p> <p>⚠ CAUTION: The function should not be used: - with hydraulic motors and/or - with "time counting" = OFF Leave default value set to 0.</p> <p>(***)</p>
nA intEnAnCE	0	250	0		Programming number of operations for maintenance threshold [in hundreds]	<p>Allows you to set a number of operations after which the need for maintenance will be reported on the AUX output configured as Maintenance or Flashing Light and Maintenance.</p>

(*) In the European Union, apply standard EN 12453 for force limitations, and standard EN 12445 for measuring method.

(**) The impact forces must be limited using active coasts comply with EN12978



(***) **⚠ CAUTION:** After a parameter change will need to run an autaset function if the "obstacle sensitivity" is active.

TABLE "B" - LOGIC MENU - (LoGic)

Logic	Definition	Default	Cross out setting used	Optional extras																												
tCA	Automatic Closing Time	0	0 1	Logic not enabled Switches automatic closing on																												
FRSt cLS.	Fast closing	0	0 1	Logic not enabled Closes 3 seconds after the photocells are cleared before waiting for the set TCA to elapse.																												
StEP-by-StEP movEmEnt	Step-by-step movement	0	0 1 2	<table border="1" style="width: 100%; border-collapse: collapse;"> <thead> <tr> <th colspan="4" style="text-align: center;">step-by-step mov.</th> </tr> <tr> <th></th> <th style="text-align: center;">2 STEP</th> <th style="text-align: center;">3 STEP</th> <th style="text-align: center;">4 STEP</th> </tr> </thead> <tbody> <tr> <td>CLOSED</td> <td></td> <td></td> <td>OPENS</td> </tr> <tr> <td>DURING CLOSING</td> <td>OPENS</td> <td>OPENS</td> <td>STOPS</td> </tr> <tr> <td>OPEN</td> <td></td> <td>CLOSES</td> <td>CLOSES</td> </tr> <tr> <td>DURING OPENING</td> <td>CLOSES</td> <td>STOP + TCA</td> <td>STOP + TCA</td> </tr> <tr> <td>AFTER STOP</td> <td>OPENS</td> <td>OPENS</td> <td>OPENS</td> </tr> </tbody> </table>	step-by-step mov.					2 STEP	3 STEP	4 STEP	CLOSED			OPENS	DURING CLOSING	OPENS	OPENS	STOPS	OPEN		CLOSES	CLOSES	DURING OPENING	CLOSES	STOP + TCA	STOP + TCA	AFTER STOP	OPENS	OPENS	OPENS
step-by-step mov.																																
	2 STEP	3 STEP	4 STEP																													
CLOSED			OPENS																													
DURING CLOSING	OPENS	OPENS	STOPS																													
OPEN		CLOSES	CLOSES																													
DURING OPENING	CLOSES	STOP + TCA	STOP + TCA																													
AFTER STOP	OPENS	OPENS	OPENS																													
PrE-ALArn	Pre-alarm	0	0 1	The flashing light comes on at the same time as the motor(s) start. The flashing light comes on approx. 3 seconds before the motor(s) start.																												

INSTALLATION MANUAL

D812958 00100_07

Logic	Definition	Default	Cross out setting used	Optional extras
hold-to-run	Deadman	0	0	Pulse operation.
			1	Deadman mode. Input 61 is configured as OPEN UP. Input 62 is configured as CLOSE UP. Operation continues as long as the OPEN UP or CLOSE UP keys are held down.  WARNING: safety devices are not enabled.
			2	Emergency Deadman mode. Usually pulse operation. If the board fails the safety device tests (photocell or safety edge, Er0x) 3 times in a row, the device is switched to Deadman mode, which will stay active until the OPEN UP or CLOSE UP keys are released. Input 61 is configured as OPEN UP. Input 62 is configured as CLOSE UP.  WARNING: with the device set to Emergency Deadman mode, safety devices are not enabled.
1bl oPEn	Block pulses during opening	0	0	Pulse from inputs configured as Start E, Start I, Ped has effect during opening.
			1	Pulse from inputs configured as Start E, Start I, Ped has no effect during opening.
1bl tCA	Block pulses during TCA	0	0	Pulse from inputs configured as Start E, Start I, Ped has effect during TCA pause.
			1	Pulse from inputs configured as Start E, Start I, Ped has no effect during TCA pause.
1bl cLOSE	Block pulses during closing	0	0	Pulse from inputs configured as Start E, Start I, Ped has effect during closing.
			1	Pulse from inputs configured as Start E, Start I, Ped has no effect during closing.
rAn bLob cOP	Hammer during opening	0	0	Logic not enabled
			1	Before opening completely, the gate pushes for approx. 2 seconds as it closes. This allows the solenoid lock to be released more easily. IMPORTANT - Do not use this function if suitable mechanical stops are not in place.
rAn bLob cCL	Hammer during closing	0	0	Logic not enabled
			1	Before closing completely, the gate pushes for approx. 2 seconds as it opens. This allows the solenoid lock to be released more easily. IMPORTANT - Do not use this function if suitable mechanical stops are not in place.
bLoc PER5 1St	Stop maintenance	0	0	Logic not enabled
			1	If motors stay idle in fully open or fully closed position for more than one hour, they are switched on in the direction of the stop for approx. 3 seconds. This operation is performed every hour. NB: In hydraulic motors, this function serves to compensate a possible reduction in the volume of oil due to a drop in temperature during extended pauses, such as during the night, or due to internal leakage. IMPORTANT - Do not use this function if suitable mechanical stops are not in place.
PrESS 5bc	Closing limit switch pressure	0	0	Movement is stopped only when the closing limit switch trips: in this case, the tripping of the closing limit switch must be adjusted accurately (Fig.G Ref.B).
			1	Use when there is a mechanical stop in closed position. This function allows leaves to press against the mechanical stop without the Amperestop sensor interpreting this as an obstacle. Thus the rod continues its stroke for a few seconds after meeting the closing limit switch or as far as the mechanical stop. In this way, the leaves come to rest perfectly against the stop by allowing the closing limit switches to trip slightly earlier (Fig.G Ref.A).
t INE. c.	Time count (Only active on FW ≥ 1/2/3/4.07.0)	ON	ON	The control unit calculates the activation time of each motor, based on the preceding manoeuvres.
			OFF	The control unit activates the motors at each manoeuvre for the time set. N.B. Always set the operation time to a slightly higher value than needed to carry out the complete manoeuvre.
1 Mot.on	1 motor active	0	0	Both motors active (2 leaves).
			1	Only motor 1 active (1 leaf).
oPEn in othEr dIrEct.	Open in other direction	0	0	Standard operating mode (See Fig.F Ref. C).
			1	Opens in other direction to standard operating mode (See Fig. F Ref.D)
SAFE 1	Configuration of safety input SAFE 1. 72	0	0	Input configured as Phot (photocell).
			1	Input configured as Phot test (tested photocell).
			2	Input configured as Phot op (photocell active during opening only).
SAFE 2	Configuration of safety input SAFE 2. 74	6	3	Input configured as Phot op test (tested photocell active during opening only).
			4	Input configured as Phot cl (photocell active during closing only).
SAFE 3	Configuration of safety input SAFE 3. 77	2	5	Input configured as Phot cl test (tested photocell active during closing only).
			6	Input configured as Bar, safety edge.
SAFE 4	Configuration of safety input SAFE 4. 79	4	7	Input configured as Bar, tested safety edge.
			8	Input configured as Bar 8k2 (Inactive on SAFE 3,4,5,6).
SAFE 5	Configuration of safety input SAFE 4. 79	0	9	Input configured as Bar OP, safety edge with inversion active only while opening. If while closing, the movement stops.
			10	Input configured as Bar OP TEST, safety edge tested with inversion active only while opening. If while closing, the movement stops.
SAFE 6	Configuration of safety input SAFE 6. 84	6	11	Input configured as Bar OP 8k2, safety edge with inversion active only while opening. If while closing, the movement stops. (Inactive on SAFE 3,4,5,6).
			12	Input configured as Bar CL, safety edge with inversion active only while closing. If while opening, the movement stops.
			13	Input configured as Bar CL TEST, safety edge tested with inversion active only while closing. If while opening, the movement stops.
			14	Input configured as Bar CL 8k2, safety edge with inversion active only while closing. If while opening, the movement stops. (Inactive on SAFE 3,4,5,6).
IC 1	Configuration of command input IC 1. 61	0	0	Input configured as Start E.
			1	Input configured as Start I.

INSTALLATION MANUAL

Logic	Definition	Default	Cross out setting used	Optional extras
ic 2	Configuration of command input IC 2. 62	4	2	Input configured as Open.
			3	Input configured as Close.
ic 3	Configuration of command input IC 3. 64	2	4	Input configured as Ped.
			5	Input configured as Timer.
ic 4	Configuration of command input IC 4. 65	3	6	Input configured as Timer Pedestrian.
ich	Configuration of the 1st radio channel command	0	0	Radio control configured as START E.
			1	Radio control configured as Start I.
			2	Radio control configured as Open.
2ch	Configuration of the 2nd radio channel command	9	3	Radio control configured as Close
			4	Radio control configured as Ped
			5	Radio control configured as STOP
			6	Radio control configured as AUX0 **
3 ch	Configuration of the 3rd radio channel command	2	7	Radio control configured as AUX1 **
			8	Radio control configured as AUX2 **
			9	Radio control configured as AUX3 **
4 ch	Configuration of the 4th radio channel command	5	10	Radio control configured as EXPO1 **
			11	Radio control configured as EXPO2 **
AUX 0	Configuration of AUX 0 output. 20-21	6	0	Output configured as monostable Radio Channel.
			1	Output configured as SCA (gate open light).
			2	Output configured as Courtesy Light command.
AUX 1	Configuration of AUX 1 output. 22-23	3	3	Output configured as Zone Light command.
			4	Output configured as Stair Light
			5	Output configured as Alarm
AUX 2	Configuration of AUX 2 output. 24-25	1	6	Output configured as Flashing light
			7	Output configured as Latch
			8	Output configured as Magnetic lock
AUX 3	Configuration of AUX 3 output. 26-37	0	9	Output configured as Maintenance
			10	Output configured as Flashing Light and Maintenance.
			11	Not used
			12	Not used
			13	Output configured as Gate Status
			14	Output configured as Bistable Radio Channel
LoCh	Type of lock. 28-29	0	0	Output configured as 12V--- solenoid latch.
			1	Output configured as 12V--- magnetic lock.
F iXEd codE	Fixed code	0	0	Receiver is configured for operation in rolling-code mode. Fixed-Code Clones are not accepted.
			1	Receiver is configured for operation in fixed-code mode. Fixed-Code Clones are accepted.
Protect ion LEvEL	Setting the protection level	0	0	A - The password is not required to access the programming menus B - Enables wireless memorizing of transmitters. Operations in this mode are carried out near the control panel and do not require access: - Press in sequence the hidden key and normal key (T1-T2-T3-T4) of a transmitter that has already been memorized in standard mode via the radio menu. - Press within 10 sec. the hidden key and normal key (T1-T2-T3-T4) of a transmitter to be memorized. The receiver exits programming mode after 10 sec.: you can use this time to enter other new transmitters by repeating the previous step. C - Enables wireless automatic addition of clones. Enables clones generated with the universal programmer and programmed Replays to be added to the receiver's memory. D - Enables wireless automatic addition of replays. Enables programmed Replays to be added to the receiver's memory. E - The board's parameters can be edited via the U-link network
			1	A - You are prompted to enter the password to access the programming menus The default password is 1234. No change in behaviour of functions B - C - D - E from 0 logic setting
			2	A - You are prompted to enter the password to access the programming menus The default password is 1234. B - Wireless memorizing of transmitters is disabled. C - Wireless automatic addition of clones is disabled. No change in behaviour of functions D - E from 0 logic setting
			3	A - You are prompted to enter the password to access the programming menus The default password is 1234. B - Wireless memorizing of transmitters is disabled. D - Wireless automatic addition of Replays is disabled. No change in behaviour of functions C - E from 0 logic setting
			4	A - You are prompted to enter the password to access the programming menus The default password is 1234. B - Wireless memorizing of transmitters is disabled. C - Wireless automatic addition of clones is disabled. D - Wireless automatic addition of Replays is disabled. E - The option of editing the board's parameters via the U-link network is disabled. Transmitters are memorized only using the relevant Radio menu. IMPORTANT: This high level of security stops unwanted clones from gaining access and also stops radio interference, if any.

INSTALLATION MANUAL

D812958 00100_07

Logic	Definition	Default	Cross out setting used	Optional extras
<i>SERIAL mode</i>	Serial mode (Identifies how board is configured in a BFT network connection).	0	0	Standard SLAVE: board receives and communicates commands/diagnostics/etc.
			1	Standard MASTER: board sends activation commands (START, OPEN, CLOSE, PED, STOP) to other boards.
<i>ADDRESS</i>	Address	0	[____]	Identifies board address from 0 to 119 in a local BFT network connection. (see U-LINK OPTIONAL MODULES section)
<i>chrono</i>	Time bands	0	0	Logic not enabled
			1	Activates the time bands configured as timer
			2	Activates the time bands configured as pedestrian timer
<i>EHP11</i>	Configuration of EXPI1 input on input-output expansion board. 1-2	1	0	Input configured as Start E command.
			1	Input configured as Start I command.
			2	Input configured as Open command.
			3	Input configured as Close command.
			4	Input configured as Ped command.
			5	Input configured as Timer command.
			6	Input configured as Timer Pedestrian command.
			7	Input configured as Phot (photozell) safety.
			8	Input configured as Phot op safety (photozell active during opening only).
			9	Input configured as Phot cl safety (photozell active during closing only).
			10	Input configured as Bar safety (safety edge).
			11	Input configured as safety Bar OP, safety edge with inversion active only while opening, if while closing the movement stops.
			12	Input configured as safety Bar CL, safety edge with inversion active only while closing, if while opening the movement stops.
			13	Input configured as Phot test safety, tested photozell. Input 3 (EXPI2) on input/output expansion board is switched automatically to safety device test input, EXPFAULT1.
			14	Input configured as Phot op test safety, tested photozell active only while opening. Input 3 (EXPI2) on input/output expansion board is switched automatically to safety device test input, EXPFAULT1
			15	Input configured as Phot cl test safety, tested photozell active only while closing. Input 3 (EXPI2) on input/output expansion board is switched automatically to safety device test input, EXPFAULT1
			16	Input configured as Bar safety, tested safety edge. Input 3 (EXPI2) on input/output expansion board is switched automatically to safety device test input, EXPFAULT1.
			17	Input configured as safety Bar OP test, safety edge with inversion active only while opening, if while closing the movement stops. Input 3 (EXPI2) on input/output expansion board is switched automatically to safety device test input, EXPFAULT1.
18	Input configured as safety Bar CL test, safety edge with inversion active only while closing, if while opening the movement stops. Input 3 (EXPI2) on input/output expansion board is switched automatically to safety device test input, EXPFAULT1.			
<i>EHP12</i>	Configuration of EXPI2 input on input-output expansion board. 1-3	0	0	Input configured as Start E command.
			1	Input configured as Start I command.
			2	Input configured as Open command.
			3	Input configured as Close command.
			4	Input configured as Ped command.
			5	Input configured as Timer command.
			6	Input configured as Timer Pedestrian command.
			7	Input configured as Phot (photozell) safety.
			8	Input configured as Phot op safety (photozell active during opening only).
			9	Input configured as Phot cl safety (photozell active during closing only).
			10	Input configured as Bar safety (safety edge).
			11	Input configured as safety Bar OP, safety edge with inversion active only while opening, if while closing the movement stops.
12	Input configured as safety Bar CL, safety edge with inversion active only while closing, if while opening the movement stops.			
<i>EHP01</i>	Configuration of EXPO2 output on input-output expansion board 4-5	11	0	Output configured as monostable Radio Channel.
			1	Output configured as SCA (gate open light).
			2	Output configured as Courtesy Light command.
			3	Output configured as Zone Light command.
			4	Output configured as Stair Light.
<i>EHP02</i>	Configuration of EXPO2 output on input-output expansion board 6-7	11	5	Output configured as Alarm.
			6	Output configured as Flashing light.
			7	Output configured as Latch.
			8	Output configured as Magnetic lock.
			9	Output configured as Maintenance.
			10	Output configured as Flashing Light and Maintenance.
			11	Output configured as Traffic Light control with TLB board.
			12	Not used
			13	Output configured as Gate Status
			14	Output configured as Bistable Radio Channel
15	Output configured as timed Radio Channel			

INSTALLATION MANUAL


Logic	Definition	Default	Cross out setting used	Optional extras
ErAFF Ic L IGht PrEFLASH InG	Traffic light pre-flashing	0	0	Pre-flashing switched off.
			1	Red lights flash, for 3 seconds, at start of operation.
ErAFF Ic L IGht rEd LAMP ALWAYS on	Steadily lit red light	0	0	Red lights off when gate closed.
			1	Red lights on when gate closed.

* Only active on FW > 1.12

Radio channel control configuration
CH logic= 0 - Control configured as Start E. Operation according to <i>StEP-by-StEP Flow</i> . logic. External start for traffic light control.
CH logic= 1 - Control configured as Start I. Operation according to <i>StEP-by-StEP Flow</i> . logic. Internal start for traffic light control.
CH logic= 2 - Control configured as Open. The command causes the leaves to open.
CH logic= 3 - Control configured as Closed. The command causes the leaves to close.
CH logic= 4 - Control configured as Ped. The command causes the leaf to open to the pedestrian (partial) opening position. Operation according to <i>StEP-by-StEP</i> . logic
Logica CH= 5- Control configured as STOP. The command performs a STOP
CH logic= 6 - Control configured as AUX0. (**) The control activates the AUX0 output
CH logic= 7 - Control configured as AUX1. (**) The control activates the AUX1 output
CH logic= 8 - Control configured as AUX2. (**) The control activates the AUX2 output
CH logic= 9 - Control configured as AUX3. (**) The control activates the AUX3 output
CH logic= 10 - Control configured as EXPO1. (**) The control activates the EXPO1 output
CH logic= 11 - Control configured as EXPO2. (**) The control activates the EXPO2 output

(**) Active only if the output is configured as Monostable Radio Channel, Courtesy Light, Zone Light, Stair Light, Bistable Radio Channel or Timed Radio Channel.

TABLE "C" – RADIO MENU (rAd Ia)

Logic	Description
<i>Add 1ch</i>	Add 1ch Key associates the desired key with the 1nd radio channel command.
<i>Add 2ch</i>	Add 2ch Key associates the desired key with the 2nd radio channel command.
<i>Add 3ch</i>	Add 3ch Key associates the desired key with the 3nd radio channel command.
<i>Add 4ch</i>	Add 4ch Key associates the desired key with the 4nd radio channel command.
<i>ErASE 64</i>	Erase List  WARNING! Erases all memorized transmitters from the receiver's memory.
<i>ErASE 1</i>	Eliminates individual radio control Removes a radio control (if clone or replay is disabled) To select the radio control to be deleted, enter the position or press a button on the radio control to be deleted (the position is displayed)
<i>cod rH</i>	Read receiver code Displays receiver code required for cloning transmitters.



www.bft-automation.com

BFT Spa

Via Lago di Vico, 44 **ITALY**
36015 Schio (VI)
T +39 0445 69 65 11
F +39 0445 69 65 22

SPAIN

BFT GROUP ITALIBERICA DE AUTOMATISMOS SL
Camí de Can Bassa, 6, 08401
Granollers, Barcelona, Spagna

FRANCE

AUTOMATISMES BFT FRANCE SAS
50 rue Jean Zay
69800 Saint-Priest, Francia

GERMANY

BFT ANTRIEBSSYSTEME GMBH
Faber-Castell-Straße 29, 90522
Oberasbach, Germania

UNITED KINGDOM

BFT AUTOMATION UK LTD
Unit C2-C3 The Embankment Business
Park, Vale Road Heaton Mersey Stockport
Cheshire SK4 3GL United Kingdom

BFT AUTOMATION (SOUTH) LTD
Enterprise House Murdock Road, Dorcan,
Swindon, England, SN3 5HY

PORTUGAL

BFT PORTUGAL SA
Urb. Pedrulha lote 9 - Apartado 8123,
3025-248 Coimbra Portugal

POLAND

BFT POLSKA SP ZOO
Marecka 49, 05-220 Zielonka, Polonia

IRELAND

BFT AUTOMATION IRELAND
Unit D3 City Link Business Park, Old Naas
Road, Dublin

CROATIA

BFT ADRIA DOO
Obrovac 39, 51218, Dražice, Croazia

CZECH REPUBLIC

BFT CZ SRO
Ustecka 533/9, 184 00 Praha 8,
Czech

TURKEY

BFT OTOMASYON KAPI
Şerifali Mahallesi, no, 34775
Ümraniye/İstanbul, Turchia

U.S.A.

BFT AMERICAS INC.
1200 S.W. 35th Avenue Suite B Boynton
Beach FL 33426

AUSTRALIA

BFT AUTOMATION AUSTRALIA PTY
29 Bentley St, Wetherill Park NSW
2164, Australia

EMIRATES

BFT MIDDLEEAST FZCO
FZS2 AA01 -PO BOX 262200, Jebel Ali Free
Zone South Zone 2, Dubai - United Arab

NEW ZEALAND

BFT AUTOMATION NEW ZEALAND
224/A Bush Road, Rosedale,
Auckland, New Zealand